

# MVB/MVB-FLC



CESI KCI

Ex KCI



## MVB 4 poles - 1500/1800 rpm

	Description					Mechanical specifications				Electrical specifications						
	Code	Type	SIZE	SE	II2D Temp. class	Centrifugal force				Weight kg	Max input power W		Max. current A		I <sub>A</sub> /I <sub>N</sub>	
						50 Hz	60 Hz	50 Hz	60 Hz		50 Hz	60 Hz	400 V 50 Hz	460 V 60 Hz	50 Hz	60 Hz
three-phase	601226	MVB 1510/15	50	•	150°C	1500	1500	14.7	14.7	41.5	1100	1200	2.10	2.00	3.76	4.50
	601129	MVB 2500/15	60	•	/	2500	2500	24.5	24.5	67.0	2150	2700	3.90	4.10	5.60	5.81
	601130	MVB 4500/15	80	•	/	4500	4500	44.1	44.1	106	4000	4200	6.70	5.80	4.48	4.18
	601131	MVB 7000/15	90	•	/	7000	7000	68.7	68.7	160	7000	7000	11.8	10.2	6.19	6.73

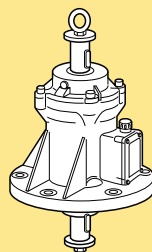
## MVB-FLC 4 poles - 1500/1800 rpm

	Description					Mechanical specifications				Electrical specifications						
	Code	Type	SIZE	SE	II2D Temp. class	Centrifugal force				Weight kg	Max input power W		Max. current A		I <sub>A</sub> /I <sub>N</sub>	
						50 Hz	60 Hz	50 Hz	60 Hz		50 Hz	60 Hz	400 V 50 Hz	460 V 60 Hz	50 Hz	60 Hz
three-phase	601225	MVB 1510/15-FLC	50	•	150°C	1500	1500	14.7	14.7	54.5	1100	1200	2.10	2.00	3.76	4.50
	601134	MVB 2500/15-FLC	60	•	/	2500	2500	24.5	24.5	67.0	2150	2700	3.90	4.10	5.60	5.81
	601135	MVB 4500/15-FLC	80	•	/	4500	4500	44.1	44.1	106	4000	4200	6.70	5.80	4.48	4.18
	601136	MVB 7000/15-FLC	90	•	/	7000	7000	68.7	68.7	160	7000	7000	11.8	10.2	6.19	6.73

I<sub>A</sub>/I<sub>N</sub> = ratio between start-up current and maximum current.

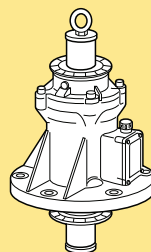
## Versions

Version A



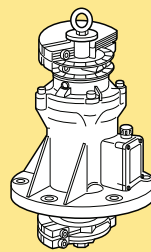
Basic model.

Version B



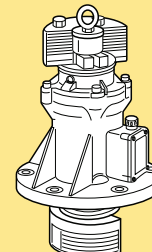
Basic model with angle disc.

Version C



Basic model with angle disc and weights type C (clamped).

Version D



Basic model with angle disc and weights type D (lamellar).

## MVB 4 poles - 1500/1800 rpm

	Type	Fig.	Dimensional specifications (mm)											Cable entry thread		
			A	øB	øC	øD	Holes		E	F	G	øI	L		M	
three-phase							øH	N°								
	MVB 1510/15	I	476	290	171	250	17	6	278	46	20	35	71	71	M25x1,5	
	MVB 2500/15	I	587	350	224	305	21	6	294	54	27	40	71	71	M25x1,5	
	MVB 4500/15	I	664	400	240	355	23.5	6	340	70	30	52	75	75	M25x1,5	
	MVB 7000/15	I	740	508	314	438	25	8	388	88	34	52	79	79	M32x1,5	

## MVB-FLC 4 poles - 1500/1800 rpm

	Type	Fig.	Dimensional specifications (mm)											Cable entry thread		
			A	øB	øC	øD	Holes		E	F	G	I°	L		M	øN
three-phase							øH	N°								
	MVB 1510/15-FLC	L	476	350	260	305	21	6	174	150	27	30	71	71	35	M25x1,5
	MVB 2500/15-FLC	L	587	350	260	305	21	6	189	162	27	30	71	71	40	M25x1,5
	MVB 4500/15-FLC	L	664	400	310	355	23.5	6	220	190	30	15	75	75	52	M25x1,5
	MVB 7000/15-FLC	L	740	508	348	438	25	8	255.5	224.5	32.5	30	79	79	52	M32x1,5

Fig. I

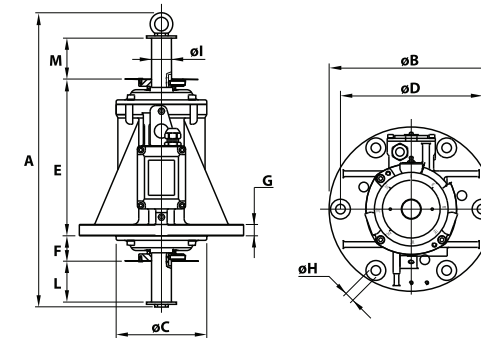
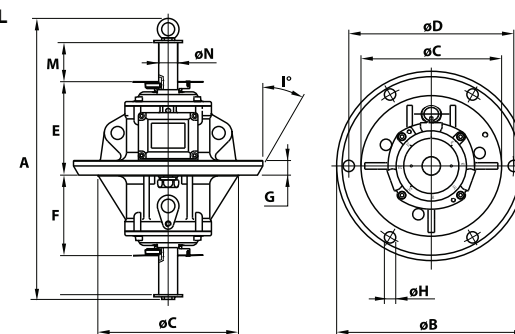


Fig. L

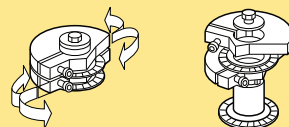


## Versions

Each C type weight group (in twos) is adjustable by phase shifting one in respect to the other. Each D type weight group (lamellars) is adjustable by removing one or more lamellar elements.

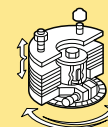
**Weight adjustment:** the weights at the two ends of the shaft can be staggered as required, with reference to the graduated discs on the shaft itself.

### Type "C"



Infinitely adjustable centrifugal force

### Type "D"



Centrifugal force adjustable from max. to min. by removing the lamellar weights.